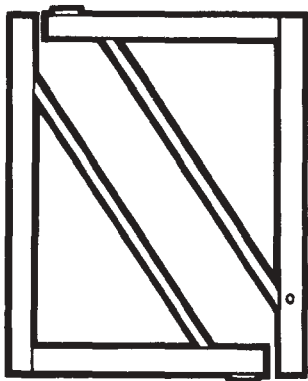


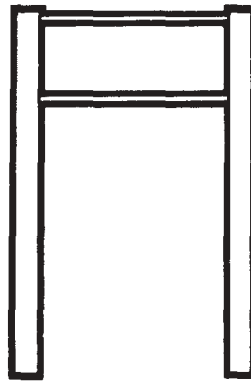
PARTS NUMBER OF PARTS REQUIRED ARE IN PARENTHESES



(1) L-FRAME, RIGHT
(1) L-FRAME, LEFT



(1) HORIZONTAL
FRAME EXTENSION



(1) VERTICAL
FRAME EXTENSION



(2) SWIVEL
CASTERS



(2) TUBE
PLUGS



(2) MACHINE
SCREWS



(2) SWIVEL
CASTERS WITH
BRAKE



(2) THUMB
SCREWS

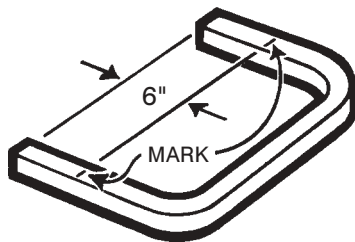


(2) SET
SCREWS

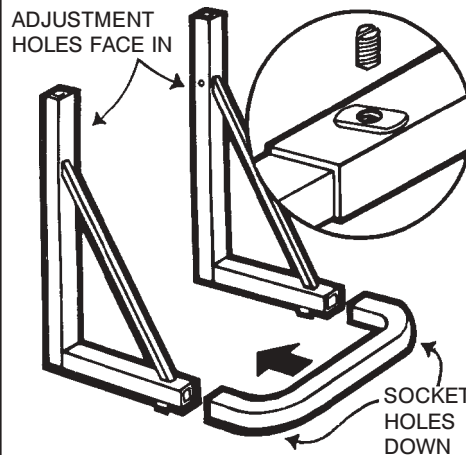


(1) CROSS BRACE

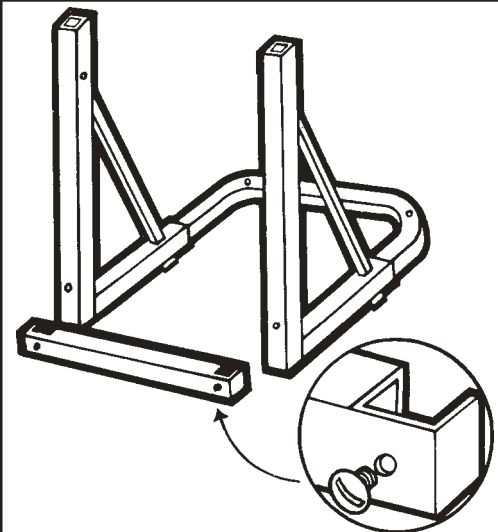
ASSEMBLY INSTRUCTIONS



- Using a pencil, make a mark exactly 6 inches from each end of the horizontal frame extension.



- Slide horizontal frame extension into L-frames (as shown) **only as far as the marks**. Insert set screws, but do not tighten.

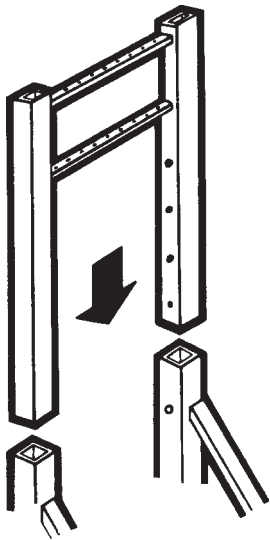


- Attach cross brace to back of L-frames (use machine screws).

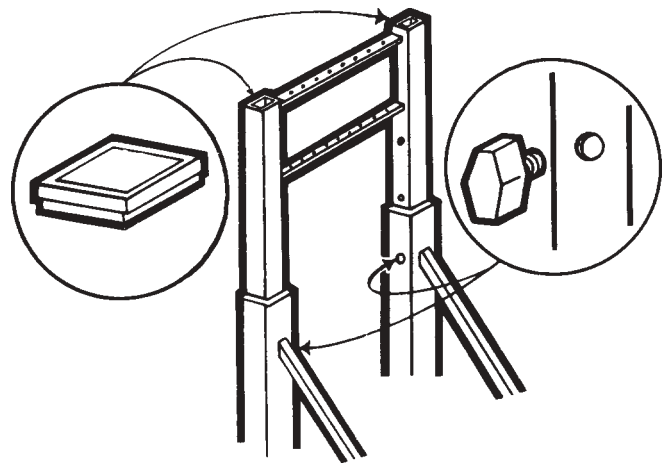
SAFCO® ASSEMBLY INSTRUCTIONS

Thank You For Ordering A Safco Product

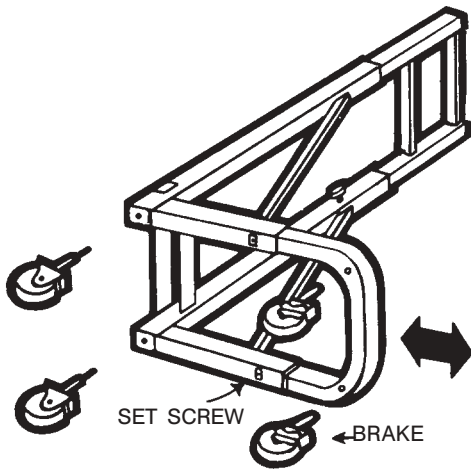
This product comes unassembled to save you money. Every effort has been made to make set-up fast and easy...however, be patient, it will take some of your time. Follow the step-by-step instructions, and your Safco product will perform as intended.



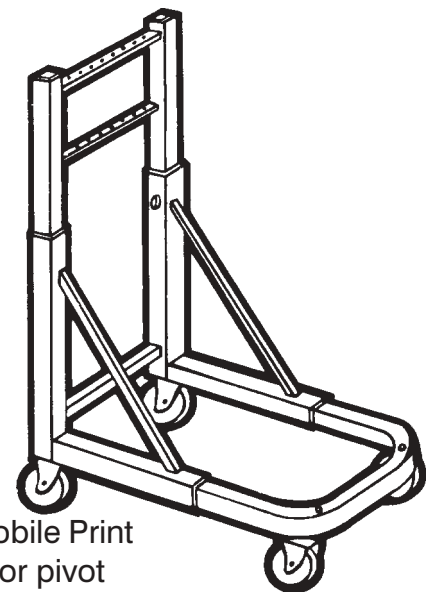
4 Slide vertical frame extension into L-frame unit.



5 Extend tubing to desired height. Find closest corresponding holes and insert thumb screws. Press tube plugs firmly into place.



6 Adjust horizontal extension to desired length and tighten set screws. Insert swivel casters without brakes. Insert remaining casters into front sockets.



7 Completed Mobile Print Stand, ready for pivot brackets and hanging clamps.

MISSING PARTS

We do our best to ensure that every unit is shipped complete, but occasionally a part is missed. For immediate service on your missing parts, please fill in the needed information.

Model Number Purchased _____

Part Name	Part Number	Qty. Needed
_____	_____	_____
_____	_____	_____
_____	_____	_____
_____	_____	_____

Name _____

Company _____

Address _____

City _____ State _____ Zip _____

Phone No. () _____

CUSTOMER COMMENTS

We appreciate your comments on our products, and use them to ensure better products in the future.

Was it easy to assemble? Yes No

Were the assembly instructions clear? Yes No

How would you rate the following:

	Good	Fair	Poor
Value	_____	_____	_____
Quality	_____	_____	_____
Style	_____	_____	_____
Utility	_____	_____	_____

How will this product be used? _____

Additional comments / suggestions for other products: _____

**MAIL
REPLY
TO:**

Safco Products Company
9300 West Research Center Road
Minneapolis, MN 55428

**ATTN: QUALITY
CONTROL DEPARTMENT**